

Case

Front Panel

System power switch

The system power switch is located on the front of the case. You should always be certain that the power is turned off before modifying the hardware configuration in any way. Pushing the power switch for less than 4 seconds places the system into sleep mode (if enabled in Setup). When the power button is pressed for more than 4 seconds, the system enters the Soft-Off mode.

Reset button

The reset button allows you to restart the system without turning the power off. If you encounter any problems while using unfamiliar software, you can always restart quickly from the *RAM* test stage by pressing the reset button. You will have to use a pen, pencil or other small object to press the Reset button. This feature was added to prevent accidental reset of the unit.

Warning: Any data not saved to disk will be lost

Indicator lights

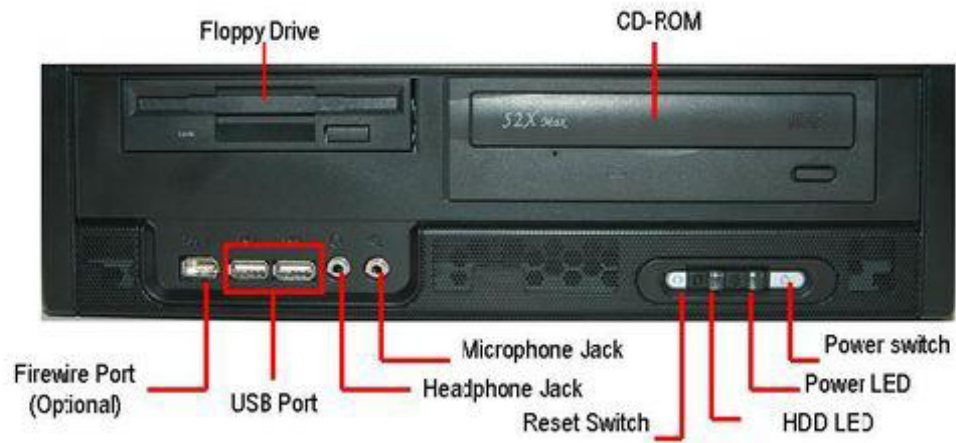
These lights indicate the operation status of your computer.

Mid-Tower

The front panel gives access to power and reset switches, indicator light and front USB/audio.



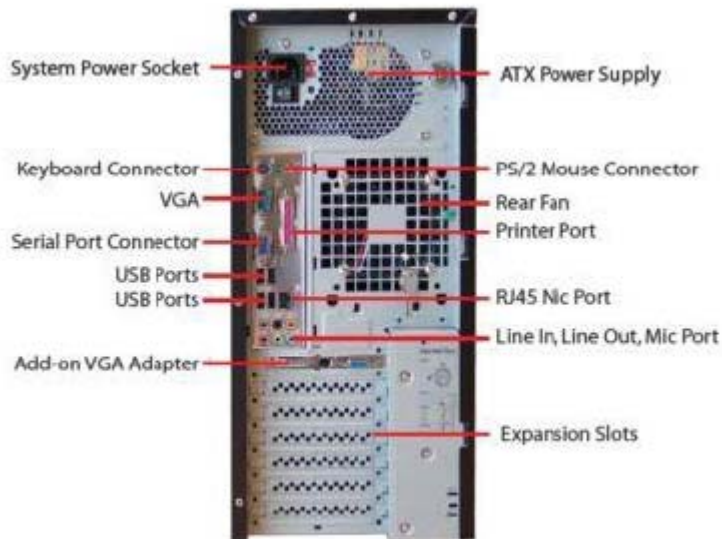
Slim Desktop



Back Panel

The back panel has all the connections that lead from the system unit to external peripherals and the power source.

Mid-Tower



Slim Desktop

